

Backup & Disaster Recovery Service

Would your business survive a disaster?

If your servers crash are you confident that you can recover your critical financial data, documents and e-mail?

According to a recent study of companies experiencing a major loss of computer records, 43 percent never reopen and 51 percent close within 2 years.

Tape Backup Systems Frequently Fail

Analysts estimate that anywhere from 42 to 71 percent of tape restores fail.

The tape backup systems that most small business rely on are easily compromised by environmental factors such as heat, humidity and magnetic interference. And tape cartridges must be replaced frequently to ensure reliability. Even when tape backups

are successful, tapes themselves are subject to loss or theft.

Under the best circumstances, recovering from a server crash using a tape backup can mean extended downtime while repairs are made and a full restore is completed.

More Than a Backup; A Business Continuity System

CompuWorks Backup & Disaster Recovery (BDR) Service combines frequent local disk-based backups with automated off-site data storage.

Local backups are fully automated and can be as frequent as every 15 minutes. The solution is fully monitored and managed.

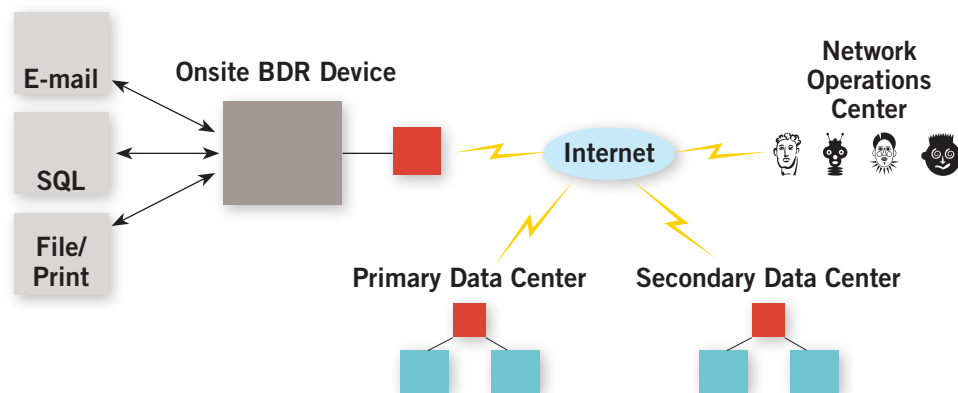
And if you have a server crash, the BDR can be quickly virtualized to create a standby

server to take its place. Instead of hours or days, you can be back up and running in minutes.

With our BDR service, there are no more tapes to change, rotate, take off-site or remember to replace. Just peace of mind knowing that your business is protected.

Features

- Complete server images of a single or multiple servers stored on local BDR device
- 24 x 7 x 365 monitoring and management to ensure success
- Data Guardian service validates integrity of backups and virtualization capability
- Incremental backups as frequently as every 15 minutes
- Provides backup for file, Exchange and SQL servers
- Fast recovery of critical files, data and e-mail
- Server virtualization allows BDR to act as standby server virtually eliminating downtime
- Economical off-site data store ensures recovery even in the event of a site disaster. (We even include temporary use of office space.)
- Data is encrypted to ensure security
- Comparable to the overall cost of buying and managing a tape backup system



Healthy IT
from **CompuWorks**

you watch your business.
we'll watch your IT.

SINCE 1987
1 Fenn Street, Pittsfield
413.499.0607 compuworks.biz